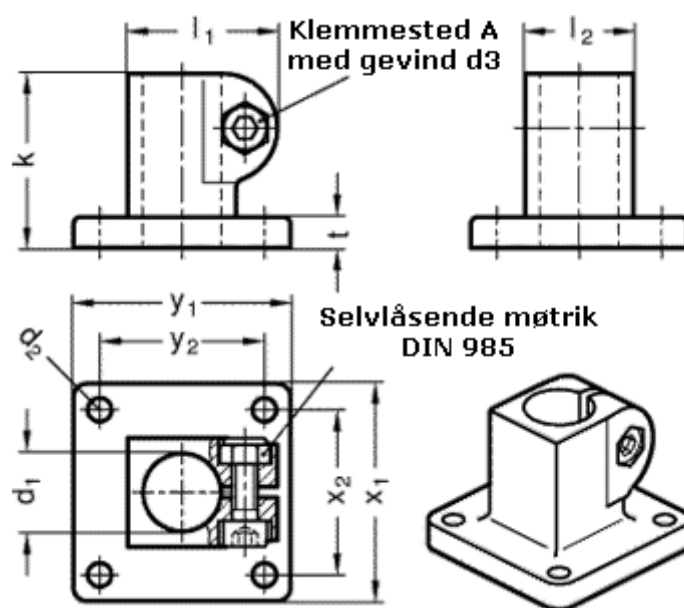


Article number: 20162B182BL

Description: E+G

Base plate clamp GN162-B18-2-BL

Measures



Adjustable clamp lever = GN 911-M6-22 have to be ordered separately

d_1	= B18
d_2	= 5.5
d_3	= M 6
k	= 40
l_1	= 34.5
l_2	= 25
t	= 7

$x_1 = 50$

$x_2 = 38$

$y_1 = 50$

$y_2 = 38$